



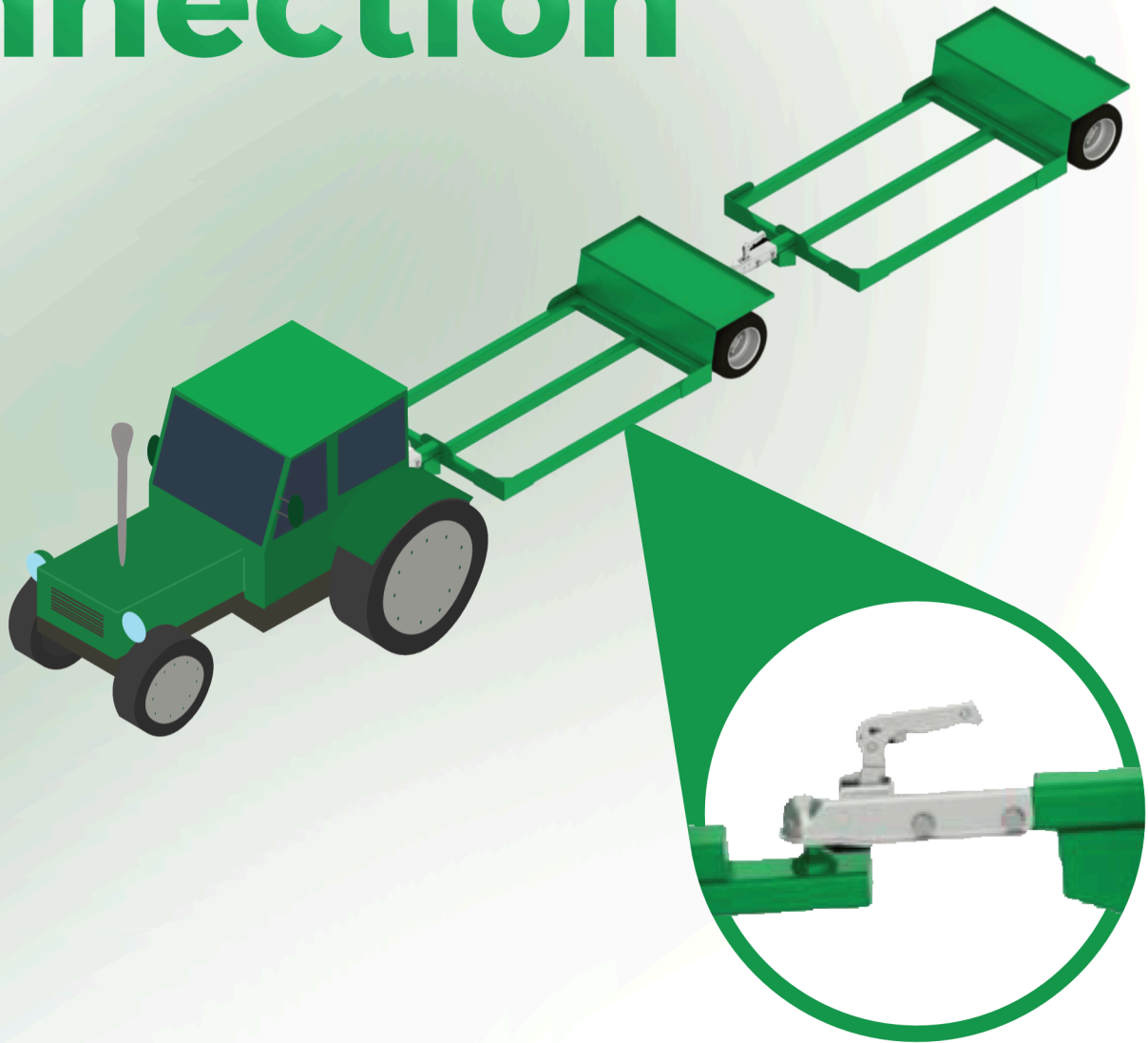
STEELPRESS PRODUCTION

Safe. Professional. Perfect



NEWSLETTER 05.2025

New model of the best connection



www.steelpress.eu

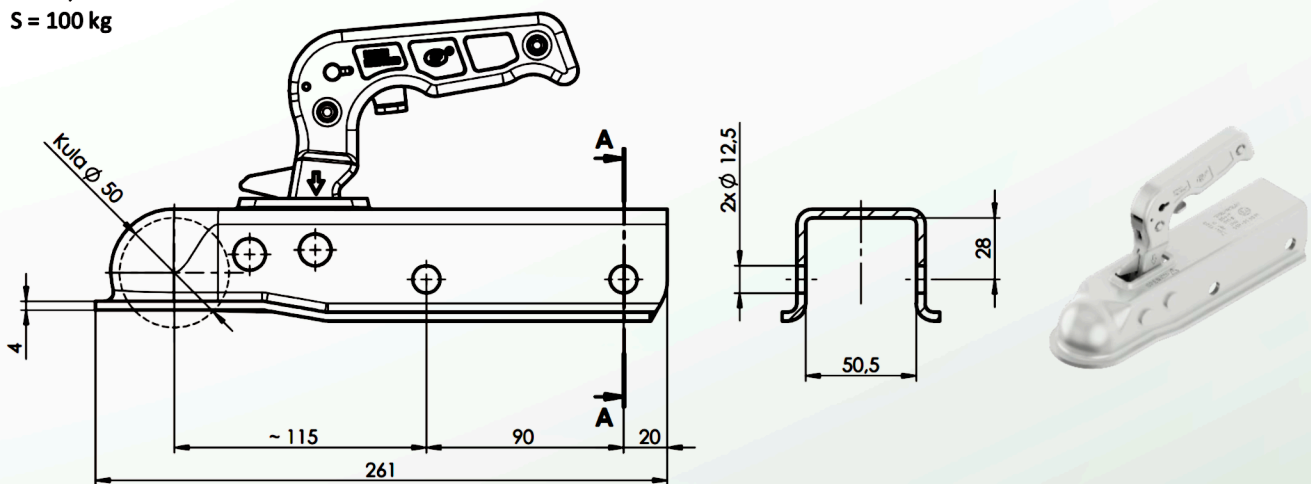


NEWSLETTER 05.2025

Aktualizacja głowic zaczepowych Update coupling heads

ZSK-1700H-20-00

DMC = 1700 kg
D = 15,8 kN
S = 100 kg



ZSK-1700I-20-00

DMC = 1700 kg
D = 15,8 kN
S = 100 kg

